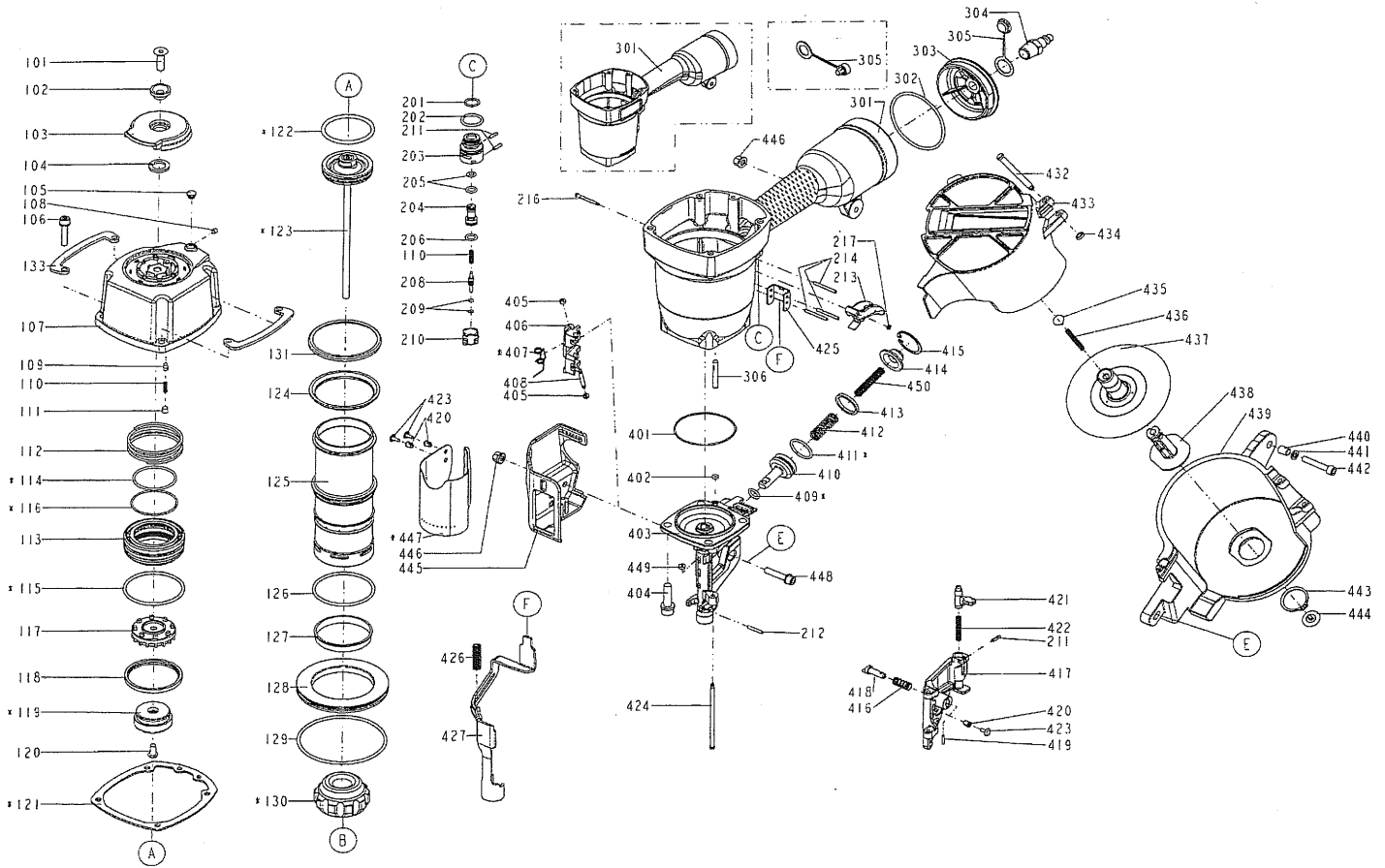


B.PRO N16-90 BOARD



ITEM NO.	PART NO.	DESCRIPTION	ITEM NO.	PART NO.	DESCRIPTION	ITEM NO.	PART NO.	DESCRIPTION
101	2040103-05010-2	COUNTER SUNK SCREW	202	2041104-02030-0	O - RING	414	11366-0794701-1	FEED PISTON CAP
102	1136B-0374701-1	DEFLECTOR PAD	203	11374-0084701-1	PLUNGER CAP	415	2040300-04010-0	C - RING
103	11371-0374701-2	DEFLECTOR	204	1133S-0250001-1	VALVE PLUNGER	416	1133C-0790001-2	STOPPER FINGER SPRING
104	1135G-0374701-1	RUBBER PAD	205	2041100-01070-0	O - RING	417	11361-0794706-1	DOOR
105	1135S-0350001-1	GROMMET	206	2041100-01030-0	O - RING	418	11358-0794704-1	NAIL STOP
106	2040100-04060-0	BOLT ASSY	208	11375-0084701-1	PLUNGER	419	2040401-04060-0	SPIRAL PINS
107	11369-037C103-1	CAP	209	2041102-01030-0	O - RING	420	1131G-0254701-1	FIXED RING
108	2040104-03010-0	HEX.SOC.HD.SCREW	210	11373-0084701-1	TRIGGER VALVE HEAD	421	11310-0864701-1	DOOR LATCH
109	1136C-0374701-1	POSITIONING AXIS	211	2040400-05060-0	SPRING PIN	422	11311-0974701-1	LATCH SPRING
110	11376-0254701-1	SPRING	212	2040401-05100-0	SPIRAL PINS	423	11324-0254701-1	FIXED PIN
111	2040104-04010-0	HEX.SOC.HD.SCREW	213	11224-0374701-2	TRIGGER UNIT	424	11362-0794704-1	DOOR SHAFT PIN
112	11360-0374701-3	COMPRESSION SPRING	214	2040401-05160-0	SPIRAL PINS	425	11338-0374701-1	SAFETY GUIDE
113	11368-0370002-3	HD.VALVE PISTON	216	11318-0374701-1	TRIGGER PIVOT PIN	426	11337-0794701-1	SAFETY SPRING
114	2041109-05070-0	O - RING	217	1131D-0460001-1	URETHANE RETAINER	427	11330-0794703-1	SAFETY
115	2041108-07021-0	O - RING	301	11230-0798401-1	GUN BODY UNIT	432	1132V-0794702-1	PIN
116	2041109-05080-0	O - RING	302	2041106-07010-0	O - RING	433	11355-0794702-1	MAGAZINE COVER
117	1136N-0370001-2	VALVE	303	11346-0374301-1	END CAP	434	1131G-0794702-1	FIXED RING
118	11399-0370001-1	COLLAR	304	1135V-0000003-1	AIR PLUG	435	1134M-0864701-1	SPRING BASE
119	11370-0370002-1	SEAL	305	1132L-0014701-1	DUSTY COVER	436	11328-0794701-1	PULL SPRING
120	2040102-04010-0	HALF ROUND HD.HEX.BOLT	306	1136U-0794701-1	FILTER	437	11289-0790001-1	SPACER
121	11302-0374701-3	CYLINDER CAP SEAL	401	2041104-07010-0	O - RING	438	11357-0794701-2	MAGAEING POST
122	2041107-06010-0	O-RING	402	2041100-01020-0	O - RING	439	11354-0794702-3	MAGAZINE CASE
123	11204-0790017-1	DRIVER UNIT	403	11382-0794705-2	NOSE PIECE	440	11398-0254702-1	LATCH SPRING BUSHING
124	1135J-0370001-2	PRESS RING	404	2040100-05010-2	BOLT ASSY	441	2040201-04020-0	FLAT WASHER
125	11320-0370003-1	CYLINDER	405	1135H-0790001-1	PU RETAINER	442	2040101-04120-0	HEX.SOC.HD.BOLT
126	2041101-06010-0	O - RING	406	11306-0794701-3	FEED FINGER	443	2040301-24010-0	S - RING
127	11322-0370002-1	CYLINDER RING	407	11307-0790001-1	FEED FINGER SPRING	444	1134M-0250002-1	SPRING BASE
128	11321-0370001-2	CYLINDER SPACER	408	11365-0794701-1	PIN FEED PISTON	445	1134C-0794701-1	SAFETY COVER
129	2041101-09010-0	O - RING	409	2041100-01090-0	O - RING	446	2040501-04010-0	BOLT CAP
130	11327-0370001-4	BUMPER	410	11364-0794701-1	FEED PISTON	447	11383-0790001-1	MUZZLE PROTECTOR
131	1136D-0374701-1	PRESS RING	411	2041104-03020-0	O - RING	448	2040100-04030-0	BOLT ASSY
133	11397-0794701-1	GUIDE COVER	412	1133F-0794701-1	FEED PISTON SPRING	449	1135H-0860001-1	PU RETAINER
201	2041104-02020-0	O - RING	413	1134W-0790001-1	FEED BUMPER	450	11337-1014701-1	SAFETY SPRING