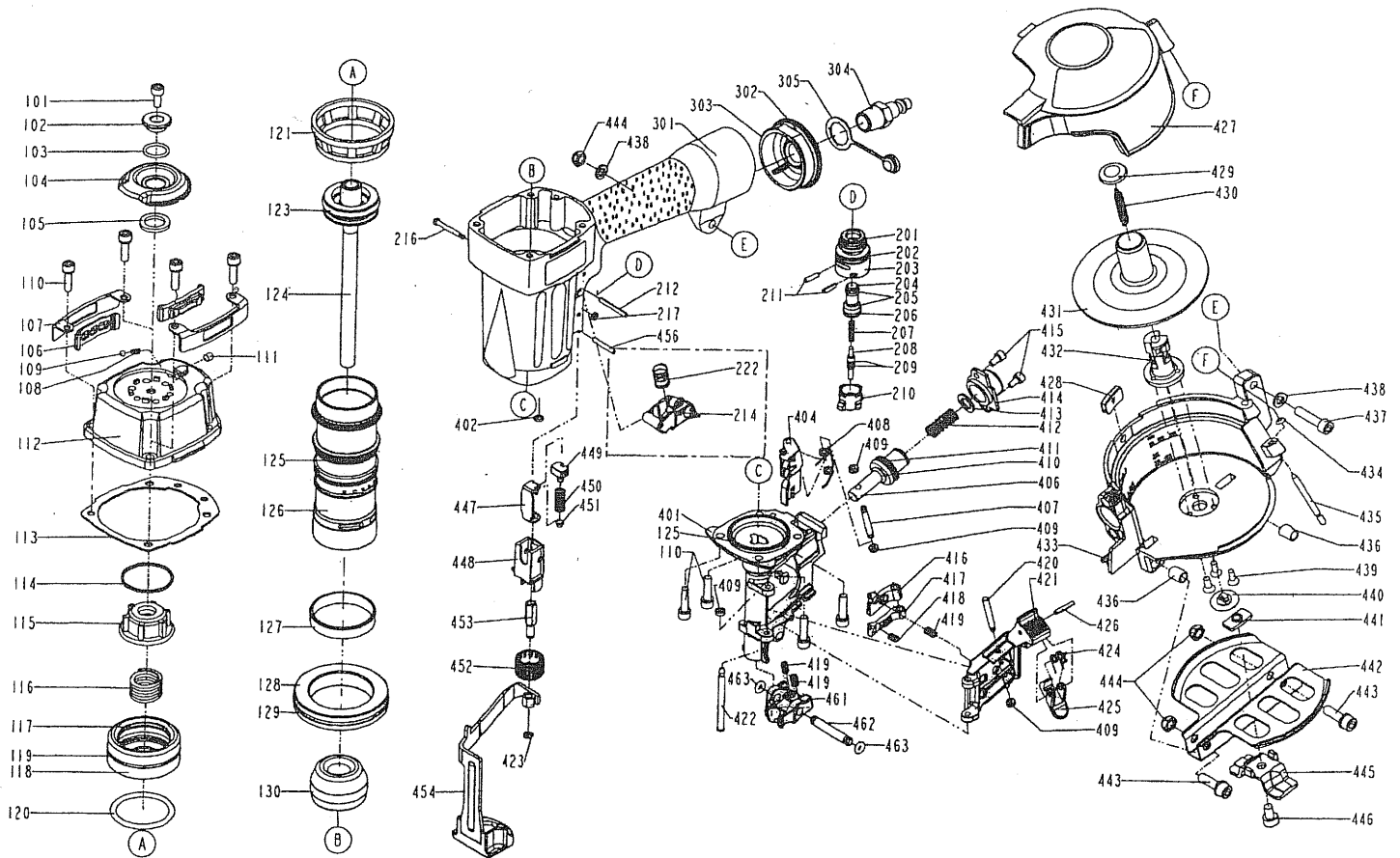


# DIAGRAM OF NP/45 RUFUS



ITEM NO.	PART NO.	DESCRIPTION	ITEM NO.	PART NO.	DESCRIPTION	ITEM NO.	PART NO.	DESCRIPTION
101	2040101-03050-2	HEX.SOC.HD.BOLT	208	11375-0084701-1	PLUNGER	425	11310-0254702-1	DOOR LATCH
102	11381-0464701-1	WASHER	209	2041102-01030-0	O - RING	426	2040400-05090-0	SPRING PIN
103	2041105-02010-0	O - RING	210	11373-0084701-1	TRIGGER VALVE HEAD	427	11355-0254701-2	MAGAZINE COVER
104	11371-0084301-1	DEFLECTOR	211	2040400-05060-0	SPRING PIN	428	1135P-0254702-1	PROTECTION UNIT
105	1135G-0460001-1	RUBBER PAD	212	2040400-05150-0	SPRING PIN	429	1134N-0254701-1	SPRING BASE A
106	1135R-0250001-1	PROTECTIVE CUSHION	214	11224-0764701-1	TRIGGER UNIT	430	11328-0254701-1	PULL SPRING
107	11397-0254703-1	GUIDE COVER	216	11318-0084701-1	TRIGGER PIVOT PIN	431	11356-0250001-2	SPACER
108	1131L-0464701-1	POSITIONING SPRING	217	1131D-0460001-1	URETHANE RETAINER	432	11357-0250001-1	ADJUST POST
109	2040800-02010-0	BALL	222	11376-0370001-1	SPRING	433	11354-0254701-1	MAGAZINE CASE
110	2040100-03030-0	BOLT ASSY	301	11384-0253201-1	GUN BODY	434	2041100-01040-0	O - RING
111	2040104-03010-0	HEX.SOC.HD.SCREW	302	2041109-05050-0	O - RING	435	1132V-0254702-1	PIN
112	11369-008C101-1	CAP	303	11346-0084303-1	END CAP	436	11398-0254702-1	LATCH SPRING BUSHING
113	11302-0080001-2	CYLINDER CAP SEAL	304	1135V-0000003-1	AIR PLUG	437	2040101-04090-0	HEX.SOC.HD.BOLT
114	1133M-0084701-1	SEAL GASKET	305	1132L-0014701-1	DUSTY COVER	438	2040201-04020-0	FLAT WASHER
115	11370-0080001-1	SEAL	401	11382-0254704-2	NOSE PIECE	439	2040107-02050-0	TAP BOLT
116	11360-0084701-1	COMPRESSION SPRING	402	2041102-01050-0	O - RING	440	1134M-0250002-1	SPRING BASE
117	2041102-04020-0	O - RING	404	11306-0254704-1	FEED FINGER	441	1130X-0254702-1	ADJUSTING UNT
118	11368-0080002-1	HD.VALVE PISTON	406	11364-0254704-1	FEED PISTON	442	1132U-0254703-1	MAGAZING GUARD
119	2041102-05030-0	O - RING	407	11365-0664701-1	PIN FEED PISTON	443	2040100-04010-0	BOLT ASSY
120	2041100-04010-0	O - RING	408	11307-0250001-1	FEED FINGER SPRING	444	2040500-04010-0	LOCK NUT
121	1131E-0080001-1	CYLINDER PRESS RING	409	1135H-0790001-1	PU RETAINER	445	11312-0254704-1	ADJUSTING PLATE
123	2041104-04043-0	O - RING	410	2041109-01050-0	O - RING	446	2040101-04010-0	HEX.SOC.HD.BOLT
124	11204-0250016-1	DRIVER UNIT	411	2041105-02060-0	O - RING	447	11332-0254703-1	SAFETY B
125	2041109-04010-0	O - RING	412	1133F-0250002-1	FEED PISTON SPRING	448	11338-0254703-1	SAFETY GUIDE
126	11320-0250006-3	CYLINDER	413	1134W-0250003-1	FEED-BUMPER	449	1136M-0250001-1	SAFETY STOPPER
127	11322-0080001-1	CYLINDER RING	414	11366-0254703-1	FEED PISTON CAP	450	11337-0784701-1	SAFETY SPRING
128	11321-0080001-1	CYLINDER SPACER	415	2040100-02040-0	BOLT ASSY	451	1134W-0254701-1	FEED BUMPER
129	2041105-07010-0	O - RING	416	1130G-0254702-1	FIRST STOPPER FINGER	452	1137H-0254701-2	ADJUST AXIE
130	11327-0080001-1	BUMPER	417	1130C-0254701-1	SECOND STOPPER FINGE	453	11393-0254701-2	ADJUST ROD
201	2041104-02020-0	O - RING	418	1130D-0250001-1	SPRING	454	11257-0254701-1	SAFETY UNIT
202	2041104-02030-0	O - RING	419	1133C-0784701-1	STOPPER FINGER SPRING	456	2040400-05110-0	SPRING PIN
203	11374-0084701-1	PLUNGER CAP	420	11359-0784702-1	PIN-NAIL STOP	461	1135D-0254702-1	GUIDE BLOCK
204	1133S-0250001-1	VALVE PLUNGER	421	11361-0254704-1	DOOR	462	11324-0254702-1	FIXED PIN
205	2041100-01070-0	O - RING	422	11362-0814701-1	DOOR SHAFT PIN	463	2041104-01040-0	O - RING
206	2041100-01030-0	O - RING	423	2040302-23010-0	E - RING			
207	11376-0254701-1	SPRING	424	11311-0254703-1	LATCH SPRING			